



Toledo Edgelit Display

The 54mm deep, hinged, glass door Toledo is an exceptional illuminated display. The profile provides a "tablet" format with a fully integrated, hinged glass door that can be key or pin locked.

Designed for internal and external applications, the Toledo can be wall mounted, recessed or presented as a freestanding display.

Superior panel brightness is achieved through Interium's edge-lighting panel technology. The high brightness and even illumination supports a true representation of your graphic display.

Your choice of frame colour can be achieved with powder coated or spray painted finishes.

T5 lamp technology delivers longer operating life, higher light output for power consumed and excellent colour rendering for your images. Average effective lamp life is 16,000 hrs.

Simple image changing is achieved by opening the hinged door, and locating the image in the magnetic clamps. The door is held firm against winds by gas struts, providing a stable base when changing images.

Electrical certification ensures all Interium products meet safety standards.

Quality manufacturing means the Toledo display will continue to perform for many years to come. The product is supported by a 12 months warranty on general construction and OEM warranties supporting tubes and electronic ballasts.

Interium Pty Ltd
ABN 98 120 704 369
www.interium.com.au
Edgelight Signs
Digital Signs
Media Delivery Software

Melbourne
Suite 18, 50 Palmer Street
Richmond VIC 3121
Telephone 03 9090 1530
Facsimile 03 9090 1533
Email sales@interium.com.au

Sydney
Suite 4, 20 Cliff Street
Milsons Point NSW 2061
Telephone 02 9080 1142
Facsimile 02 2 9080 1145
Email sales@interium.com.au

Brisbane
Suite 10, 541 Boundary Road
Spring Hill QLD 4000
Telephone 07 3839 8465
Facsimile 07 3839 8467
Email sales@interium.com.au



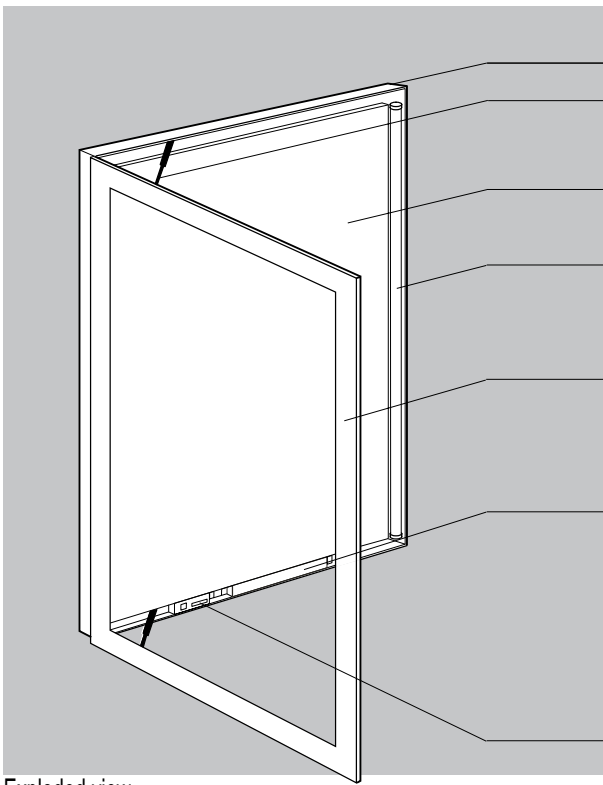
Corner aspect



Integrated image retainer



External cam lock



Exploded view

Specifications

- Frame Depth:** 54mm
- Mask:** 70mm
- Cut Image Size:** Equals overall frame dimensions less 118mm
- Visual Size:** Equals overall frame dimensions less 140mm
- Min Dimensions:** 1200 x 900mm (recommended)
- Max Dimensions:** 3000 x 1200mm
- Power Exit:** Rear of the frame, 350mm from bottom LHS corner. Power exit position is variable on request.
- Preferred Sizes:** Some frame sizes between the Min and Max dimensions are not feasible. Please contact your Interium sales consultant to confirm.
- Standard Finish:** Bright Silver or Black powder coat. Other powder coat colours available on request.
- Application:** Internal and external. The Toledo is weather resistant.
- Hinge Position:** Hinge is standard on left hand side. Other positions available on request.
- Lockable:** Available with key or pin locks mounted on the face or frame edge. Please contact your Interium sales consultant for further details.

Rear Frame.
Gas Dampers.

Diffuser Panel.

T5 Fluorescent Lamps.

4-6mm Toughened Glass or Acrylic Cover, with integrated image retainer.

Electronic Ballast.

Mains Termination Block, Switch and Fuse.